

# JAMIE II TOILET SUITE

WELS Reg No: L05358

WELS: 4 Star 3.1L Average Flush



FRONT VIEW

Button

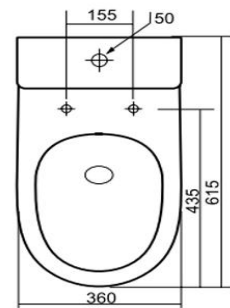
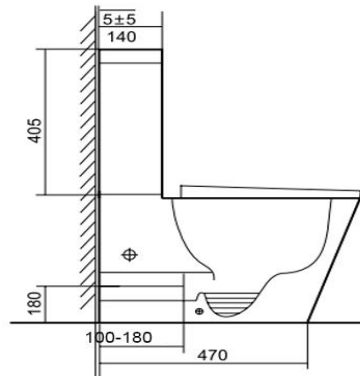
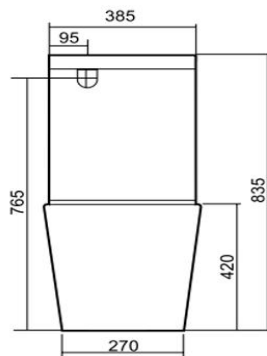


Hinge Cover



SIDE VIEW

TOP VIEW



SPECIFICATIONS

**CLEANING & MAINTENANCE:**

Toilet Suites should be cleaned with mild detergent and water  
 All Products must be cleaned with a soft cloth with soapy water, avoid  
 waxes, solvents, abrasives, acids and other chemical based cleaners  
 Warranty will be void if damages are caused by unsuitable cleaning  
 products

**WARRANTY INFORMATION:**

15 Year Ceramic Parts or Products Replacement Warranty  
 3 Year Replacement Warranty on Toilet Valves  
 1 Year Replacement Warranty on Toilet Seats  
 All products (Excluding Toilet Seats) have a full 1 year in house labour  
 warranty from date of purchase



**ADDRESS:** 42 Castro Way, Derrimut VIC 3026

**PHONE:** (03) 8390 6300

**OFFICE:** [ect\\_sales@outlook.com](mailto:ect_sales@outlook.com)

**SERVICE:** [ect\\_service@outlook.com](mailto:ect_service@outlook.com)

**WEBSITE:** [www.zenmo.com.au](http://www.zenmo.com.au)